



孚尔特
— FORT —

| 诚信为本 | 质量取胜 | 不断创新 | 优质服务 |

宁波孚尔特机电有限公司
NINGBO FORT ELECTROMECHANICAL CO.,LTD

服务热线
Service hotline:
400-0574-111



ELECTRIC CHAIN HOIST
电动环链葫芦系列



电话/ Tel: 0574-86560999
传真/Fax: 0574-86560111
邮箱/E-mail: abel@nbfort.com
网址/http: www.nbfort.com
地址: 宁波镇海区骆驼工业区南一西路618号
Add: No.618 Nanyi West Road ,Luotuo Industrial
Zone,Zhenhai,Ningbo,Zhejiang,China



Quality products smart choice
优质产品 精明之选

Brief公司简介 INTRODUCTION

宁波孚尔特机电有限公司座落于浙江省宁波市，是全球领先的起重机制造商和起重机维修服务提供商，并且已通过ISO9001质量管理体系认证，欧盟CE，SGS等多项国际国内认证。我们的业务已遍布全球30多个国家，目前拥有硕士、博士、高级工程师、起重机专业技术人才组成的管理及研发团队。另外，我们还与世界著名起重机专业制造商——科尼KONECRANES、德马格DEMAG、高博GORBEL等公司建立了长期友好的伙伴关系，通过引进、吸收其先进的技术、管理经验，进一步提升我们产品的科技含量、品牌价值和竞争力。

孚尔特(FORT)机电有限公司的产品主要有环链电动葫芦，防爆环链电动葫芦、三合一减速机、欧式端梁、简易式龙门架、自立式组合起重机、KBK柔性组合式起重机、旋臂起重机、单双梁桥式起重机、门式起重机、防爆设备、洁净室以及各种特殊场合适用的特种起重设备。广泛应用于装备制造、造纸、能源电力、汽车船舶、金属加工、航空航天等领域。

宁波孚尔特机电有限公司致力于开发起重设备及服务的行业标准技术，并且能够运用最新技术和设计，建立产品的模块化和标准化，通过服务经验与新技术的结合，向客户提供物料高架输送的安全、高效、人性化解决方案。欢迎选择“孚尔特”品牌的起重设备，我们真诚希望能与您携手合作，共创美好未来！

Ningbo Fort electromechanical Co., Ltd is located in Ningbo City, Zhejiang Province. we are World leading crane manufacturer and crane service provider and has obtained Quality Management System Certification of ISO 9001 , CE and SGS.Our Business have spread over 30 countries around the world.Our R&D team is composed of master, doctor, senior engineer and Crane Professional and technical personnel.In addition,we have also established long-term friendly partnership with the world famous crane professional manufacturer (KONECRANES, DEMAG, GORBEL etc).By introducing and absorbing the experience of advanced technology and management ,we can enhance scientific and technological content of our products, brand value and competitiveness.

The main products include Electric Chain hoist,Explosion proof hoist, Gear motor,Gantry Crane,Bridge cranes,KBK series style crane,Jib Cranes,single / double overhead cranes.Explosion-proof equipment,all kinds of Special lifting equipment for special occasions and cleaning room .They are widely used in equipment manufacturing industry, Paper manufacturing industry,power and electricity industry ,Automobile, ship,Metallurgical industry,Aerospace filed ,and other fields.

Ningbo Fort electromechanical Co., Ltd is committed to the development of crane equipment and the industrial standard technology of services .

We are able to use the latest technology and design to establish the Specialization and standardization of products.Through combine service experience with new technology,we can provide customers with more efficient,safe and ergonomic lifting solutions on material transportation mode .

Welcome to choose "Fort" brand of lifting equipment.We sincerely hope we can cooperate with you and create brighter future together!



全系列产品——品种齐全，品质保证

WHOLE SERIES PRODUCTS
VARIETY PRODUCTS WITH QUALITY ASSURANCE

孚尔特所有产品都凝聚了最先进的技术，严格的质量控制，为您提供最优质的产品和服务。

All products are condensed the most advanced technology and strict quality control we can provide you with the best quality products and service.



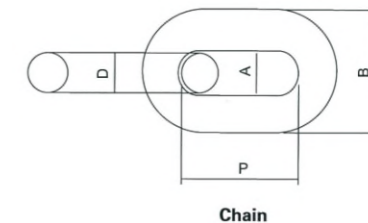


创新求精 专业至益

Innovation and refinement Professional interests

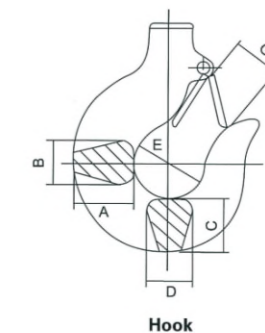


Applicable Type	Diameter (mm)D	Inside length (mm)P	Inside width (mm)A	Outside width (mm)B	Work load(kg)	Guaranteed load(KN)	Break load(KN)
HET0.3-01	6.3	19	7.9	20.5	1200	27	47
HET0.5-01	6.3	19	7.9	20.5	1200	27	47
HET01-01 HET02-02 HET03-03	7.1	21	8.8	23.5	1600	37	61.6
HET1.5-01 HET02-01 HET03-02	10.0	30	12.5	33	3200	76	125
HET2.5-01 HET03-01 HET05-02 HET7.5-03 HET10-04 HET15-06 HET20-08 HET25-10 HET30-12 HET35-16	11.2	34	14	38	3800	92	154

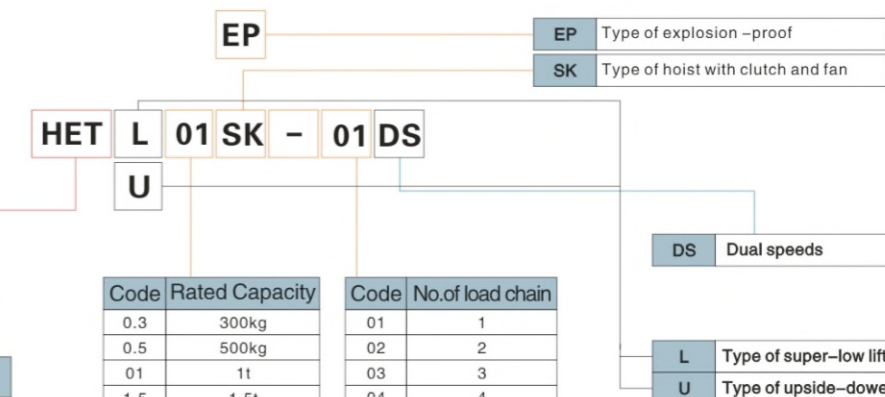


Hook: It is hot forging with perfect strength that is hard to break. The operation safety of the lower hook is ensured by its 360 degrees rotation and safety tongue piece.

Type	Load (T)	T	B	A	B	C	D	E	G
HET	0.3,0.5	T	B	27	18	25	17	32	25
	1	T	B	36	25	30	24	42	32
	2	T	B	46	29	39	30	49	40
	3	T	B	56	36	49	34	59	48
	5	T	B	67	43	57	44	60	48
	7.5	T	B	82	55	80	50	90	70
	10	T	B	82	55	80	50	90	70
	15,20	T	B	125	90	115	85	110	80
	25,30	T	B	142	95	155	98	150	115
	35	T	B	210	140	210	135	200	140

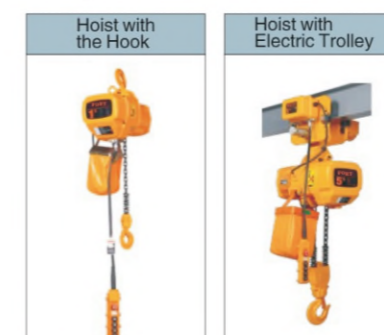


T- upper hook / B- lower hook



Type

It's the general representation form of the hoist with Hook, Hoist with Electric Trolley.



Code	Rated Capacity	Code	No. of load chain
0.3	300kg	01	1
0.5	500kg	02	2
01	1t	03	3
1.5	1.5t	04	4
02	2t	06	6
2.5	2.5t	08	8
03	3t	10	10
05	5t	12	12
7.5	7.5t	16	16
10	10t		
15	15t		
20	20t		
25	25t		
30	30t		
35	35t		



Original guide chain

The guide chain originally devised makes it possible that the load chain can freely lift and fall.

Advanced suction rotary motor brake

Suction rotary motor brake made of non-asbestos can precisely and effectively make the hoist stop running, even when there is a lack of power. Generally speaking, only when alternating current / direct current brake is installed can the brake work with power off and the hoist work with power on, thus the load won't fall due to the closed circuit of motor.

High frequency motor with cooling fan

The high frequency motor with cooling fan increases short-time rating and repeated rating. Besides, class F insulated motor makes high frequency use possible.

Low-noised transmission gear

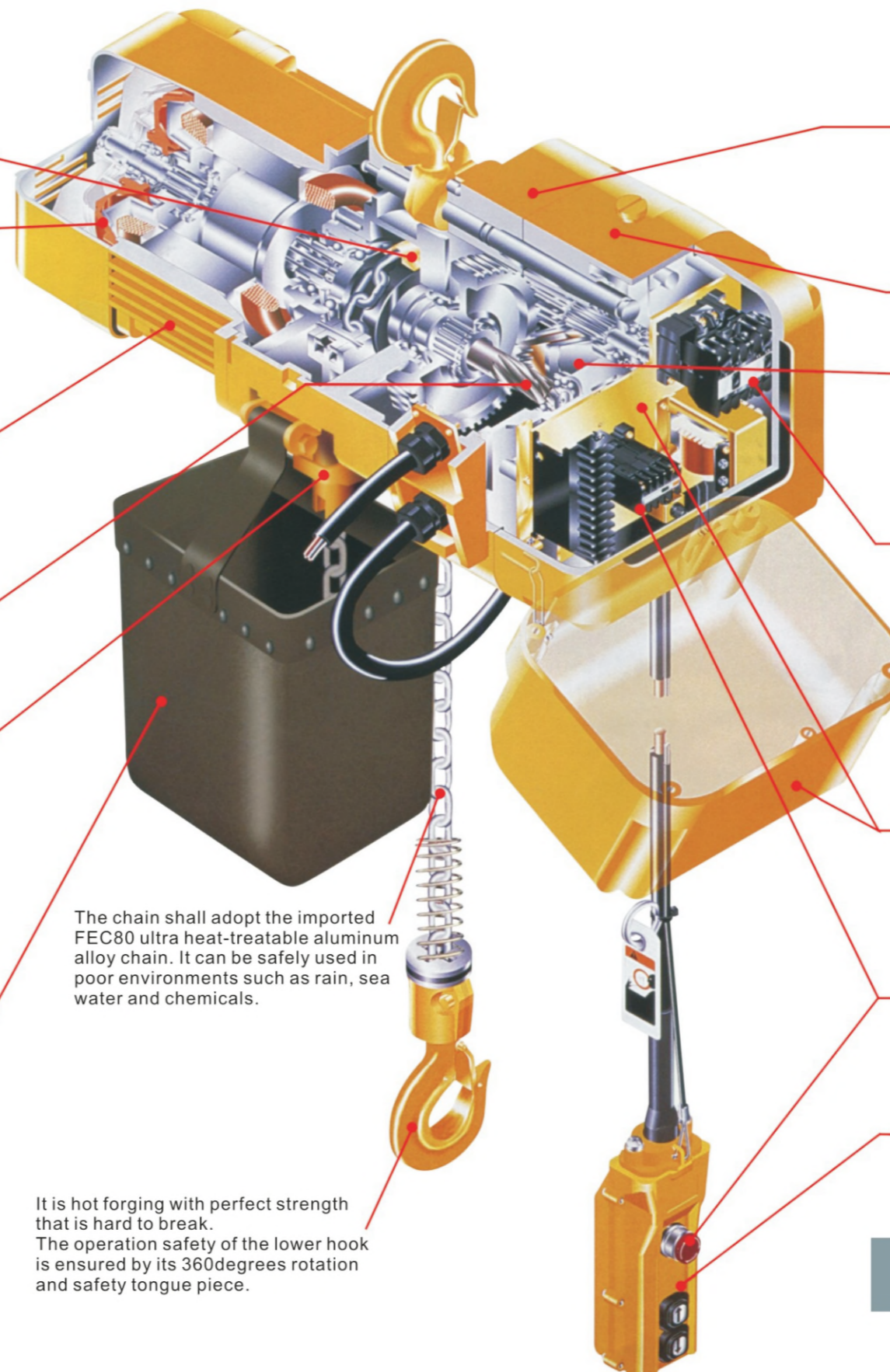
The precise spiral gears made of intensive alloy steel are soaked in the oil so that the hoist will serve longer life noiselessly.

Upper/Lower limit switch

This kind of switch is preventive against over lifting or over falling. Once it happens, the switch can put a stop to the working hoist.

Highly durable chain bag

Canvas chain bag is of notable duration.



The chain shall adopt the imported FEC80 ultra heat-treatable aluminum alloy chain. It can be safely used in poor environments such as rain, sea water and chemicals.

It is hot forging with perfect strength that is hard to break. The operation safety of the lower hook is ensured by its 360degrees rotation and safety tongue piece.

Intensive aluminum case

The original moulded hoist case with light structure and notable appearance quite appeals to one's attention.

Hoist body being anti-dust and anti-water (Protection class is Ip55)

Special over-rolling protection device

The newly designed device with the characteristic of friction clutch soaked in the oil prevents the hoist extremely rolling up or being overloaded.

Mechanic electromagnetic lock switch of high performance

Convenient examination and maintenance

The control case cover fixed with hinge is convenient for spot examination or maintenance. All the electric switch groups are installed on the same board.

Emergency stop button

Users can shut off power supply by operating the emergency stop button in the case of emergency.

Durable buttons

(The protection class is IP65) The buttons are convenient to operate; they are designed for low voltage control to ensure security.

S K Series

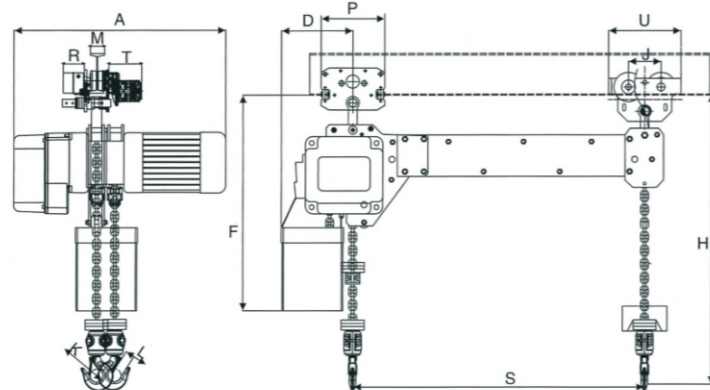


TWSK Twin Hook



FORT Twin Hook electric chain hoist, which is equipped with a single motor and two hooks, is intended to lift the hooks horizontally, equally and safely. This product is the most suitable for lifting applications requiring two lifting points for a wide load or retaining a level lifting. For special requirements such as dual speed or curve beam, consult with the nearest FORT dealer.

TWSK



Hoist with Electric Trolley

● Technical Parameters

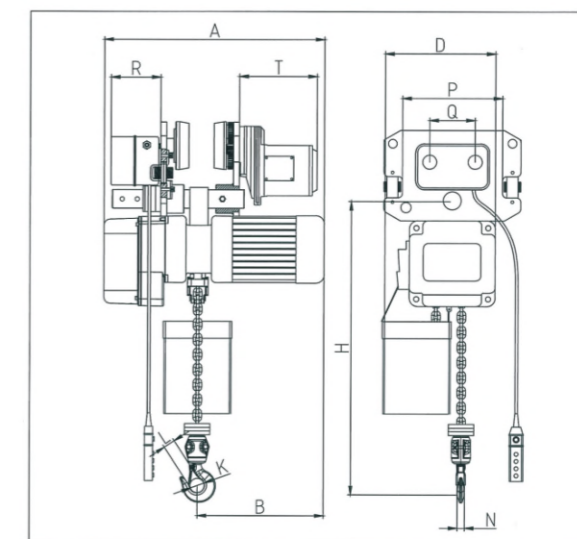
Type	Capacity (Ton)	Lifting Height (m)	Lifting Speed (m/min)	Lifting motor					Operating motor					I-Beam (mm)
				Power (kw)	Rotation Speed(r/min)	Phases	Voltage(V)	Frequency (Hz/s)	Power (kw)	Rotation Speed(r/min)	Phases	Voltage(V)	Frequency (Hz/s)	
TWSK005	250kg+250kg	3/9	7.8	0.75	1440	3	220-440	50/60	0.4	1440	3	220-440	50/60	80-160
TWSK010	500kg+500kg	3/9	6.8	1.5	1440	3	220-440	50/60	0.4	1440	3	220-440	50/60	80-160
TWSK020	1t+1t	3/9	5.6	1.5	1440	3	220-440	50/60	0.4	1440	3	220-440	50/60	82-178
TWSK030	1.5t+1.5t	3/9	5.4	3	1440	3	220-440	50/60	0.4	1440	3	220-440	50/60	100-180
TWSK050	2.5t+2.5t	3/9	2.7	3	1440	3	220-440	50/60	0.75	1440	3	220-440	50/60	110-180

● Size specification

Type	Capacity (Ton)	Unit(mm)													
		H	A	B	D	P	U	S	K	L	M	R	T	N	Chain
TWSK005	250kg+250kg	450	660	320	200	206	111	3000	Φ32	25	80-160	142	231	17	Φ6.3*19
TWSK010	500kg+500kg	550	660	350	200	206	111	3000	Φ40	31	80-160	142	231	17	Φ8.0*24
TWSK020	1t+1t	550	780	440	260	206	111	3000	Φ40	31	82-178	142	231	24	Φ8.0*24
TWSK030	1.5t+1.5t	650	870	310	300	265	140	3000	Φ59	42	100-180	142	231	35	Φ11.2*34
TWSK050	2.5t+2.5t	850	870	310	300	296	156	3000	Φ60	45	110-180	142	231	43	Φ11.2*34



01-01



Hoist with the Electric Trolley

● Technical Parameters

Type	Capacity (Ton)	Lifting Height (m)	Lifting Speed (m/min)	Lifting motor					Operating motor					I-Beam (mm)	
				Power (kw)	Rotation Speed(r/min)	Phases	Voltage(V)	Frequency (Hz/s)	Power (kw)	Rotation Speed(r/min)	Operating speed(m/min)	Phases	Voltage(V)		Frequency (Hz/s)
HET01SK-01	1	3/9	7.2	1.5	1440	3	220-440	50/60	0.4	1440	10/20	3	220/440	50/60	80-160

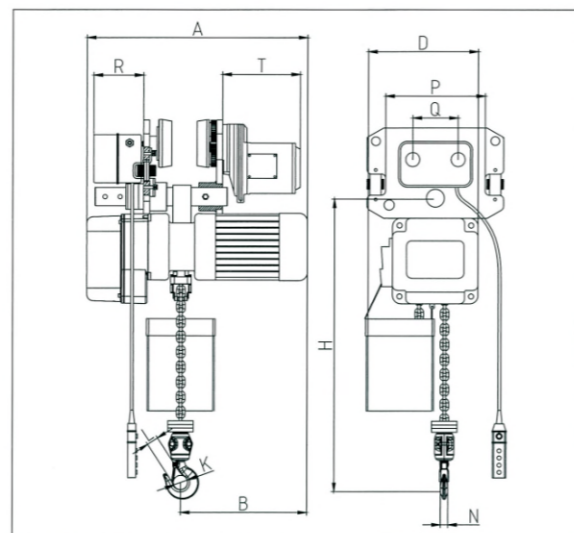
● Size specification

Type	Capacity (Ton)	Unit(mm)													
		H	A	B	D	J	K	L	N	R	T	P	Q	Chain	
HET01SK-01	1	400	595	320	300	Φ31	Φ40	31	24	142	231	206	111	Φ8.0	

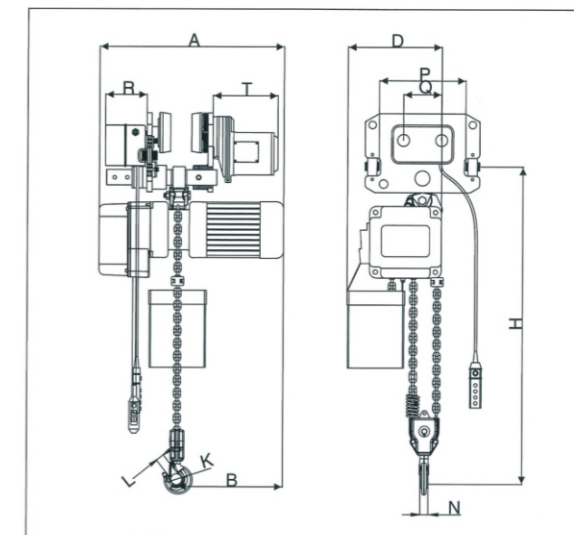




02-01



02-02



Hoist with the Hook

● Technical Parameters

Type	Capacity (Ton)	Lifting Height (m)	Lifting Speed (m/min)	Lifting motor					Operating motor					I-Beam (mm)	
				Power (kw)	Rotation Speed(r/min)	Phases	Voltage(V)	Frequency (Hz/s)	Power (kw)	Rotation Speed(r/min)	Operating speed(m/min)	Phases	Voltage(V)		Frequency (Hz/s)
HET02SK-01	2	3/9	5.4	3.0	1440	3	220-440	50/60	0.4	1440	10/12	3	220/440	50/60	82-178

● Size specification

Type	Capacity (Ton)	Unit(mm)													
		H	A	B	D	J	K	L	N	R	T	P	Q	Chain	
HET02SK-01	2	500	645	330	320	Φ36	Φ49	35	30	142	231	237	127	Φ10.0	

Hoist with the Hook

● Technical Parameters

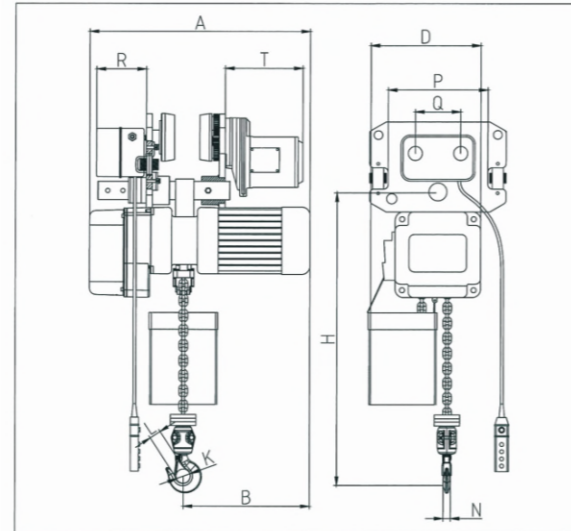
Type	Capacity (Ton)	Lifting Height (m)	Lifting Speed (m/min)	Lifting motor					Operating motor					I-Beam (mm)	
				Power (kw)	Rotation Speed(r/min)	Phases	Voltage(V)	Frequency (Hz/s)	Power (kw)	Rotation Speed(r/min)	Operating speed(m/min)	Phases	Voltage(V)		Frequency (Hz/s)
HET02SK-02	2	3/9	3.6	1.5	1440	3	220-440	50/60	0.4	1440	10/20	3	220-440	50/60	82-178

● Size specification

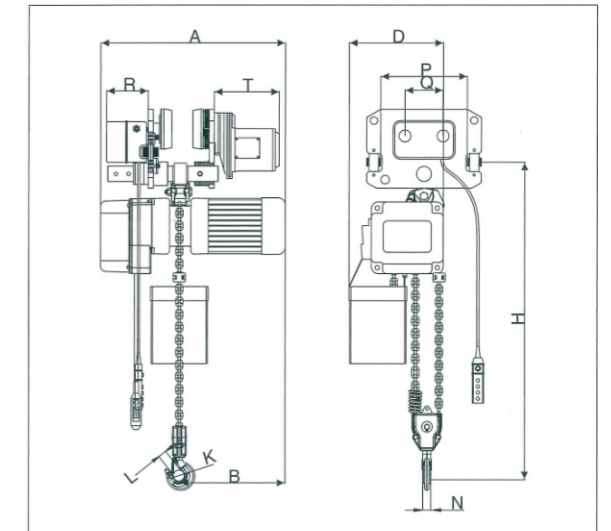
Type	Capacity (Ton)	Unit(mm)													
		H	A	B	D	E	K	L	N	T	P	Q	Chain		
HET01SK-01	2	600	595	320	300	245	Φ49	35	30	231	237	127	Φ8.0		



03-01



03-02



Hoist with the Hook

● Technical Parameters

Type	Capacity (Ton)	Lifting Height (m)	Lifting Speed (m/min)	Lifting motor					Operating motor					I-Beam (mm)	
				Power (kw)	Rotation Speed(r/min)	Phases	Voltage(V)	Frequency (Hz/s)	Power (kw)	Rotation Spedd(r/min)	Operating speed(m/min)	Phases	Voltage(V)		Frequency (Hz/s)
HET03SK-01	3	3/9	5.4	3.0	1440	3	220-440	50/60	0.4	1440	10/12	3	220-440	50/60	100/180

● Size specification

Type	Capacity (Ton)	Unit(mm)													
		H	A	B	D	J	K	L	N	R	T	P	Q	Chain	
HET01SK-01	3	650	785	395	465	Φ43	Φ59	42	35	142	231	265	140	Φ11.2	

Hoist with the Hook

● Technical Parameters

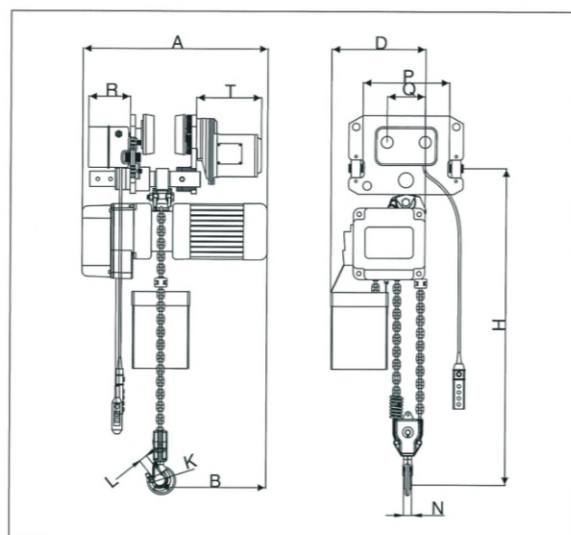
Type	Capacity (Ton)	Lifting Height (m)	Lifting Speed (m/min)	Lifting motor					Operating motor					I-Beam (mm)	
				Power (kw)	Rotation Speed(r/min)	Phases	Voltage(V)	Frequency (Hz/s)	Power (kw)	Rotation Spedd(r/min)	Operating speed(m/min)	Phases	Voltage(V)		Frequency (Hz/s)
HET03SK-02	3	3/9	2.8	3.0	1440	3	220-440	50/60	0.4	1440	10/20	3	220/440	50/60	100-180

● Size specification

Type	Capacity (Ton)	Unit(mm)													
		H	A	B	D	J	K	L	N	R	T	P	Q	Chain	
HET03SK-02	3	620	645	330	320	Φ43	Φ59	42	35	142	231	265	140	Φ10.0	



05-02



Hoist with the Hook

● Technical Parameters

Type	Capacity (Ton)	Lifting Height (m)	Lifting Speed (m/min)	Lifting motor					Operating motor					I-Beam (mm)	
				Power (kw)	Rotation Speed(r/min)	Phases	Voltage(V)	Frequency (Hz/s)	Power (kw)	Rotation Speed(r/min)	Operating speed(m/min)	Phases	Voltage(V)		Frequency (Hz/s)
HET05SK-02	5	3/9	2.7	3.0	1440	3	220-440	50/60	0.75	1440	1020	3	220-440	50/60	110-180

● Size specification

Type	Capacity (Ton)	Unit(mm)													
		H	A	B	D	J	K	L	N	R	T	P	Q	Chain	
HET05SK-02	5	880	785	395	465	φ54	φ60	45	43	142	231	296	156	φ11.2	

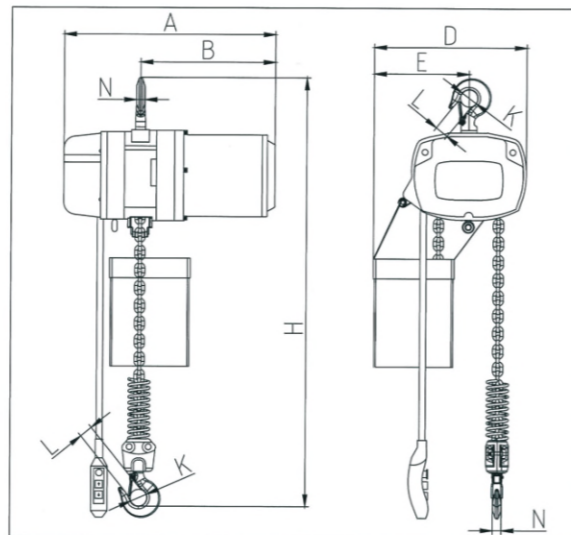
- ▶ Shell: It is made of light aluminum alloy shell, light but hard. The cooling fin is specially designed to ensure quick heat dissipation with the rate up to 40% and continuous service. The integral enclosed structure is applicable to places like chemical plant and electroplate factory.
- ▶ 外壳：铝合金外壳，坚实而质轻有特殊散热片，散热快，可连续使用，效率高达40%。整体密封式结构，可使用在化工厂、电镀厂等地方。
- ▶ Side magnetic braking device: The magnetic force generator is the latest design which is featured for generating magnetic force. It allows instant brake as soon as the electric power is cut off. Thus the braking safety while loading is guaranteed.
- ▶ 磁磁刹车：最新设计的磁力产生器，其特性为产磁。可在电源切断的同时刹车，保证吊重时刹车绝对确保安全。
- ▶ Limit switch: The limit switch device is installed where the weigh is lifted on and off to make the motor to stop automatically so as to prohibit the chains from exceeding for safety.
- ▶ 极限开关：吊上吊下都有极限开关装置，使自动停止，防止链条超出，确保安全。
- ▶ Chain: The chain shall adopt the imported FEC80 ultra heat-treatable Alloy steel chain. It can be safely used in poor environment such as rain, sea water and chemicals.
- ▶ 链条：采用进口FEC80超级加热处理合金钢链条。在雨水、海水、化学品及其他恶劣状况下使用安全无虑。
- ▶ Hook: It is hot forging with perfect strength that is hard to break. The operation safety of the lower hook is ensured by its 360 degrees rotation and safety tongue piece.
- ▶ 吊钩：经热锻造，强度绝佳，不易断裂。下吊钩可360°旋转，附安全舌片，确保操作安全。
- ▶ Support frame: The loading support frame consists of two steel plates. Which is extremely sturdy.
- ▶ 支撑架：吊重支持架由两片钢板组合，非常坚固。
- ▶ Transformer: 24V / 36V transformer device. This device is used to prohi-bit unexpected accidents caused by electric leakage and guarantee the safe use while raining.
- ▶ 变压器：24V/36V变压装置。操作时，万一漏电，可防止意外事故发生，下雨时，甚且可保证安全使用。
- ▶ Electromagnetic contactor: Electromagnetic contactor can be used safely under high frequency.
- ▶ 电磁接触器：高效率电磁接触器，可高频率使用，没有问题。
- ▶ Inverse phase sequence protecting device: It is the special electrical installation which controls the circuit not to work in case of wiring error in the power supply.
- ▶ 逆相保护装置：特殊电线装置，当电源线错误时，控制电路无法动作。
- ▶ Push button: Waterproof push button is applied. It is light and durable.
- ▶ 按钮开关：使用防水按钮开关，轻便耐用。

- ▶ Standard fittings Chain bag (1) Control cable (3m) Push-button switch(1)
- ▶ 标准配件 链条袋(1只) 控制电缆(3m) 按钮开关(1只)





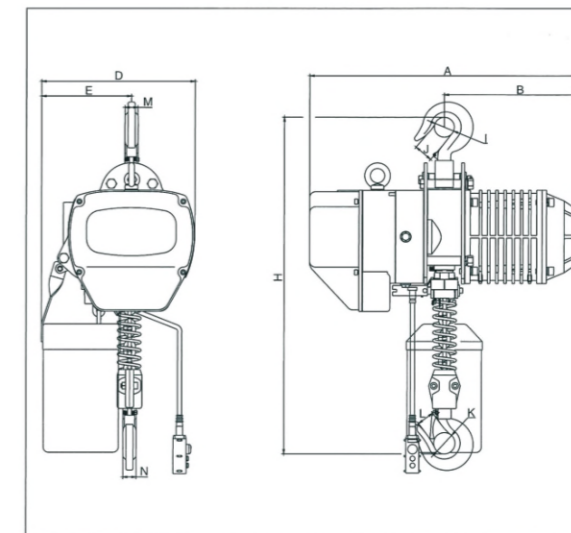
0.3-01



Hoist with the hook



02-01



Hoist with the Hook

● Technical Parameters

Type	Capacity (Ton)	Lifting Height (m)	Lifting Speed (m/min)	Lifting motor					Operating motor					I-Beam (mm)	
				Power (kw)	Rotation Speed(r/min)	Phases	Voltage(V)	Frequency (Hz/s)	Power (kw)	Rotation Spedd(r/min)	Operating speed(m/min)	Phases	Voltage(V)		Frequency (Hz/s)
HET0.5-01	0.5	3/9	7.8	0.75	1440	3	220-440	50/60	/	/	/	/	/	/	/
HET01-01	1	3/9	6.8	1.5	1440	3	220-440	50/60	/	/	/	/	/	/	/
HET01-02	1	3/9	3.9	0.75	1440	3	220-440	50/60	/	/	/	/	/	/	/
HET02-01	2	3/9	6.8	3.0	1440	3	220-440	50/60	/	/	/	/	/	/	/
HET02-02	2	3/9	3.4	1.5	1440	3	220-440	50/60	/	/	/	/	/	/	/
HET03-01	3	3/9	5.4	3.0	1440	3	220-440	50/60	/	/	/	/	/	/	/
HET03-02	3	3/9	3.4	3.0	1440	3	220-440	50/60	/	/	/	/	/	/	/
HET03-03	3	3/9	2.2	1.5	1440	3	220-440	50/60	/	/	/	/	/	/	/
HET05-02	5	3/9	2.7	3.0	1440	3	220-440	50/60	/	/	/	/	/	/	/

● Size specification

Type	Capacity (Ton)	Unit(mm)												
		H	A	B	D	E	I	J	K	L	M	N	Chain	
HET0.5-01	0.5	550	460	230	280	160	Φ32	25	Φ32	Φ25	17	17	Φ6.3	
HET01-01	1	600	520	260	300	176	Φ40	31	Φ40	Φ31	24	24	Φ7.1	
HET01-02	1	670	460	230	280	205	Φ40	31	Φ40	Φ31	24	24	Φ6.3	
HET02-01	2	800	620	310	430	265	Φ49	35	Φ49	Φ35	30	30	Φ10.0	
HET02-02	2	750	520	260	300	230	Φ49	35	Φ49	Φ35	30	30	Φ7.1	
HET03-01	3	845	620	310	430	265	Φ59	42	Φ59	Φ42	35	35	Φ11.2	
HET03-02	3	950	620	310	430	320	Φ59	42	Φ59	Φ42	35	35	Φ10.0	
HET03-03	3	1000	520	260	350	280	Φ59	42	Φ59	Φ42	35	35	Φ7.1	
HET05-02	5	1030	620	310	430	325	Φ60	45	Φ60	Φ45	43	43	Φ11.2	

Hoist with the Hook

● Technical Parameters

Type	Capacity (Ton)	Lifting Height (m)	Lifting Speed (m/min)	Lifting motor					Operating motor					I-Beam (mm)	
				Power (kw)	Rotation Speed(r/min)	Phases	Voltage(V)	Frequency (Hz/s)	Power (kw)	Rotation Spedd(r/min)	Operating speed(m/min)	Phases	Voltage(V)		Frequency (Hz/s)
HET0.3-01	0.3	3/9	9.0	0.4	1440	3	220-440	50/60	/	/	/	/	/	/	/

● Size specification

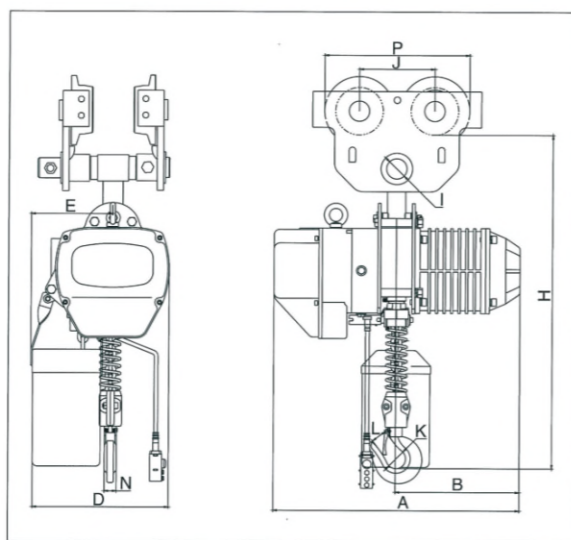
Type	Capacity (Ton)	Unit(mm)									
		H	A	B	D	E	K	L	N	Chain	
HET0.3-01	0.3	300	455	210	225	120	Φ31	18	13	Φ4.0	



Hoist with Manual Trolley



0.5-01



Hoist With Manual Trolley

● Technical Parameters

Type	Capacity (Ton)	Lifting Height (m)	Lifting Speed (m/min)	Lifting motor					Operating motor					I-Beam (mm)	
				Power (kw)	Rotation Speed(r/min)	Phases	Voltage(V)	Frequency (Hz/s)	Power (kw)	Rotation Speed(r/min)	Operating speed(m/min)	Phases	Voltage(V)		Frequency (Hz/s)
HET0.5-01	0.5	3/9	7.8	0.75	1440	3	220-440	50/60	/	/	/	/	/	/	50-102
HET01-01	1	3/9	6.8	1.5	1440	3	220-440	50/60	/	/	/	/	/	/	68-130
HET01-02	1	3/9	3.9	0.75	1440	3	220-440	50/60	/	/	/	/	/	/	68-130
HET02-01	2	3/9	6.8	3.0	1440	3	220-440	50/60	/	/	/	/	/	/	82-153
HET02-02	2	3/9	3.4	1.5	1440	3	220-440	50/60	/	/	/	/	/	/	82-153
HET03-01	3	3/9	5.4	3.0	1440	3	220-440	50/60	/	/	/	/	/	/	82-153
HET03-02	3	3/9	3.4	3.0	1440	3	220-440	50/60	/	/	/	/	/	/	82-163
HET03-03	3	3/9	2.2	1.5	1440	3	220-440	50/60	/	/	/	/	/	/	110-178
HET05-02	5	3/9	2.7	3.0	1440	3	220-440	50/60	/	/	/	/	/	/	100-178

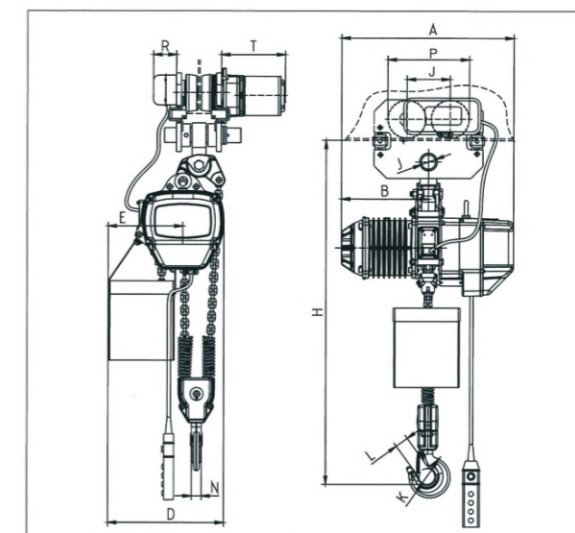
● Size specification

Type	Capacity (Ton)	Unit(mm)												
		H	A	B	D	E	I	J	P	K	L	N	Chain	
HET0.5-01	0.5	580	460	230	280	160	Φ28	91	163	Φ32	25	17	Φ6.3	
HET01-01	1	635	520	260	300	176	Φ30	115	220	Φ40	31	24	Φ7.1	
HET01-02	1	640	460	230	280	205	Φ30	115	220	Φ40	31	24	Φ6.3	
HET02-01	2	764	620	310	430	265	Φ36	157	277	Φ49	36	30	Φ10.0	
HET02-02	2	730	520	260	300	230	Φ36	138	265	Φ49	35	30	Φ7.1	
HET03-01	3	830	620	310	430	265	Φ43	178	332	Φ59	42	35	Φ10.0	
HET03-02	3	940	620	310	430	320	Φ43	178	332	Φ59	42	35	Φ10.0	
HET03-03	3	980	520	260	350	280	Φ43	178	332	Φ59	42	35	Φ7.1	
HET05-02	5	1007	620	310	430	325	Φ43	178	332	Φ60	45	43	Φ11.2	

Hoist with Electric Trolley



05-02



Hoist with Electric Trolley

● Technical Parameters

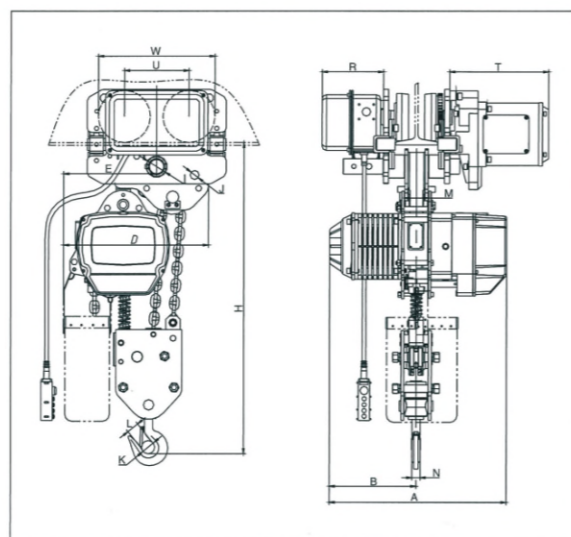
Type	Capacity (Ton)	Lifting Height (m)	Lifting Speed (m/min)	Lifting motor					Operating motor					I-Beam (mm)	
				Power (kw)	Rotation Speed(r/min)	Phases	Voltage(V)	Frequency (Hz/s)	Power (kw)	Rotation Speed(r/min)	Operating speed(m/min)	Phases	Voltage(V)		Frequency (Hz/s)
HET0.5-01	0.5	3/9	7.8	0.75	1440	3	220-440	50/60	0.2	1440	14	3	220-440	50/60	70-130
HET01-01	1	3/9	6.8	1.5	1440	3	220-440	50/60	0.4	1440	10/20	3	220-440	50/60	80-160
HET01-02	1	3/9	3.9	0.75	1440	3	220-440	50/60	0.4	1440	10/20	3	220-440	50/60	80-160
HET02-01	2	3/9	6.8	3.0	1440	3	220-440	50/60	0.4	1440	10/20	3	220-440	50/60	82-178
HET02-02	2	3/9	3.4	1.5	1440	3	220-440	50/60	0.4	1440	10/20	3	220-440	50/60	82-178
HET03-01	3	3/9	5.4	3.0	1440	3	220-440	50/60	0.4	1440	10/20	3	220-440	50/60	100-180
HET03-02	3	3/9	3.4	3.0	1440	3	220-440	50/60	0.4	1440	11/21	3	220-440	50/60	100-180
HET03-03	3	3/9	2.2	1.5	1440	3	220-440	50/60	0.4	1440	11/21	3	220-440	50/60	100-180
HET05-02	5	3/9	2.7	3.0	1440	3	220-440	50/60	0.75	1440	10/20	3	220-440	50/60	110-180

● Size specification

Type	Capacity (Ton)	Unit(mm)														
		H	A	B	D	E	I	J	P	K	L	N	R	T	Chain	
HET0.5-01	0.5	630	460	230	280	160	Φ31	100	162	Φ32	25	17	142	150	Φ6.3	
HET01-01	1	650	520	260	300	176	Φ31	111	206	Φ40	31	24	142	231	Φ7.1	
HET01-02	1	640	460	230	280	205	Φ31	111	206	Φ40	31	24	142	230	Φ6.3	
HET02-01	2	770	620	310	430	265	Φ36	127	237	Φ49	36	30	142	231	Φ10.0	
HET02-02	2	740	520	260	300	230	Φ36	127	237	Φ49	35	30	142	231	Φ7.1	
HET03-01	3	840	620	310	430	265	Φ43	140	265	Φ59	42	35	142	231	Φ11.2	
HET03-02	3	940	620	310	430	320	Φ43	140	265	Φ59	42	35	142	231	Φ10.0	
HET03-03	3	920	520	260	350	280	Φ43	140	265	Φ59	42	35	142	231	Φ7.1	
HET05-02	5	1015	620	310	430	325	Φ54	156	296	Φ60	45	43	142	231	Φ11.2	



7.5-03



Holst with Electric Trolley

● Technical Parameters

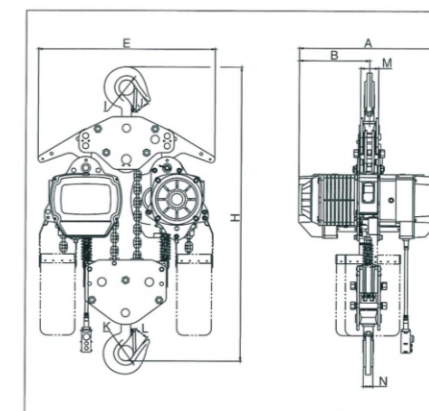
Type	Capacity (Ton)	Lifting Height (m)	Lifting Speed (m/min)	Lifting motor					Operating motor					I-Beam (mm)	
				Power (kw)	Rotation Speed(r/min)	Phases	Voltage(V)	Frequency (Hz/s)	Power (kw)	Rotation Speed(r/min)	Operating speed(m/min)	Phases	Voltage(V)		Frequency (Hz/s)
HET7.5-03	7.5	3/9	1.9	3.0	1440	3	220-440	50/60	0.75	1440	10	3	220-440	50/60	120-180

● Size specification

Type	Capacity (Ton)	Unit(mm)															
		H	A	B	D	E	I	J	K	L	M	N	W	U	R	T	Chain
HET7.5-03	7.5	1200	620	310	500	320	Φ70	Φ37	Φ90	65	85	50	366	191	142	231	Φ11.2



10-04



Holst with the Hook

● Technical Parameters

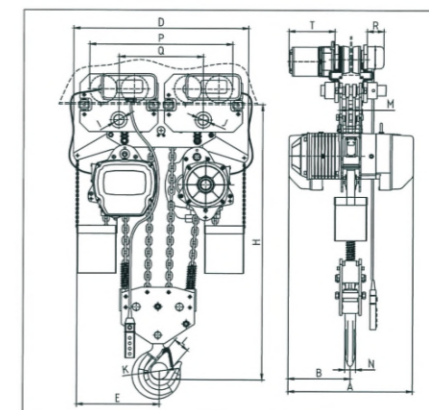
Type	Capacity (Ton)	Lifting Height (m)	Lifting Speed (m/min)	Lifting motor					Operating motor					I-Beam (mm)	
				Power (kw)	Rotation Speed(r/min)	Phases	Voltage(V)	Frequency (Hz/s)	Power (kw)	Rotation Speed(r/min)	Operating speed(m/min)	Phases	Voltage(V)		Frequency (Hz/s)
HET10-04	10	3/9	2.8	3.0x2	1440	3	220-440	50	/	/	/	/	/	/	/

● Size specification

Type	Capacity (Ton)	Unit(mm)										
		H	A	B	E	I	J	K	M	L	N	Chain
HET10-04	10	1400	630	315	890	Φ90	70	Φ90	107	65	50	Φ11.2



10-04



Holst with Electric Trolley

● Technical Parameters

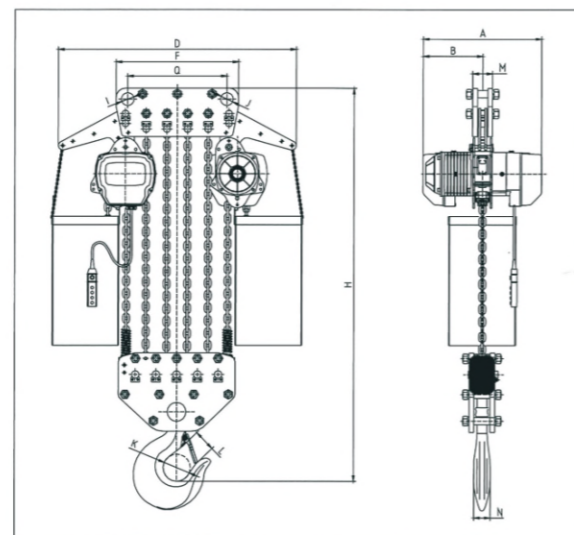
Type	Capacity (Ton)	Lifting Height (m)	Lifting Speed (m/min)	Lifting motor					Operating motor					I-Beam (mm)	
				Power (kw)	Rotation Speed(r/min)	Phases	Voltage(V)	Frequency (Hz/s)	Power (kw)	Rotation Speed(r/min)	Operating speed(m/min)	Phases	Voltage(V)		Frequency (Hz/s)
HET10-04	10	3/9	2.8	3.0x2	1440	3	220-440	50	0.75	1440	10	3	220-440	50	150-220

● Size specification

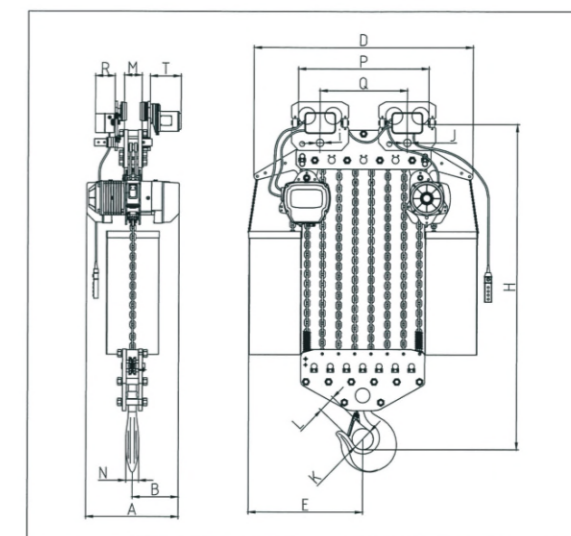
Type	Capacity (Ton)	Unit(mm)															
		H	A	B	D	E	I	J	K	L	M	N	P	Q	R	T	Chain
HET05SK-02	10	1200	630	315	860	430	Φ54	Φ54	Φ90	65	85	50	726	430	142	231	Φ11.2



15-06



20-08



● Technical Parameters

Type	Capacity (Ton)	Lifting Height (m)	Lifting Speed (m/min)	Lifting motor					Operating motor					I-Beam (mm)	
				Power (kw)	Rotation Speed(r/min)	Phases	Voltage(V)	Frequency (Hz/s)	Power (kw)	Rotation Spedd(r/min)	Operating speed(m/min)	Phases	Voltage(V)		Frequency (Hz/s)
HET15-06	15	3/9	1.9	3.0x2	1440	3	220-440	50/60	0.75x2	1440	11/21	3	220-440	50/60	150-220

● Size specification

Type	Capacity (Ton)	Unit(mm)													
		H	A	B	D	E	I	J	K	L	N	M	Q	Chain	
HET15-06	15	1360	630	315	1030	590	Φ70	Φ70	Φ110	80	85	88	520	Φ11.2	

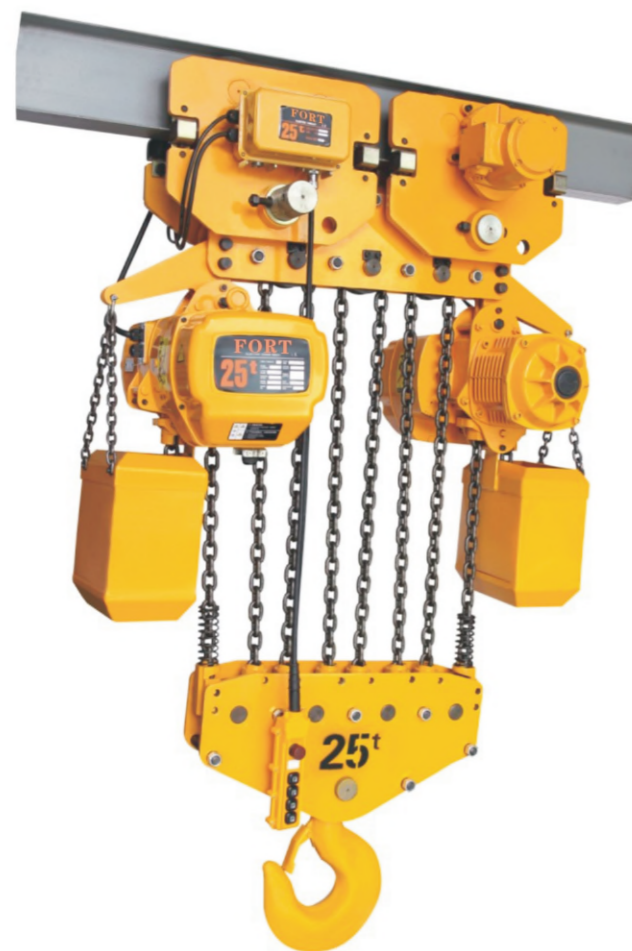
● Technical Parameters

Type	Capacity (Ton)	Lifting Height (m)	Lifting Speed (m/min)	Lifting motor					Operating motor					I-Beam (mm)	
				Power (kw)	Rotation Speed(r/min)	Phases	Voltage(V)	Frequency (Hz/s)	Power (kw)	Rotation Spedd(r/min)	Operating speed(m/min)	Phases	Voltage(V)		Frequency (Hz/s)
HET20-08	20	3/9	1.4	3.0x2	1440	3	220-440	50/60	0.75x2	1440	11/21	3	220-440	50/60	150-220

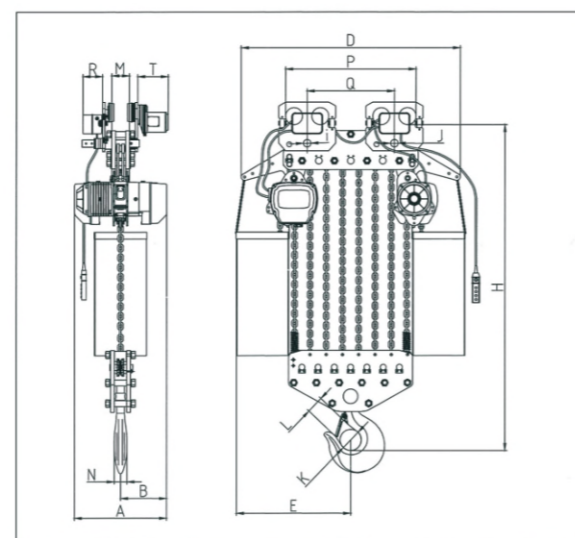
● Size specification

Type	Capacity (Ton)	Unit(mm)														
		H	A	B	D	I	J	N	K	M	P	Q	R	T	L	Chain
HET20-08	20	1300	630	315	1220	Φ70	Φ70	85	Φ110	88	886	520	142	231	80	Φ11.2

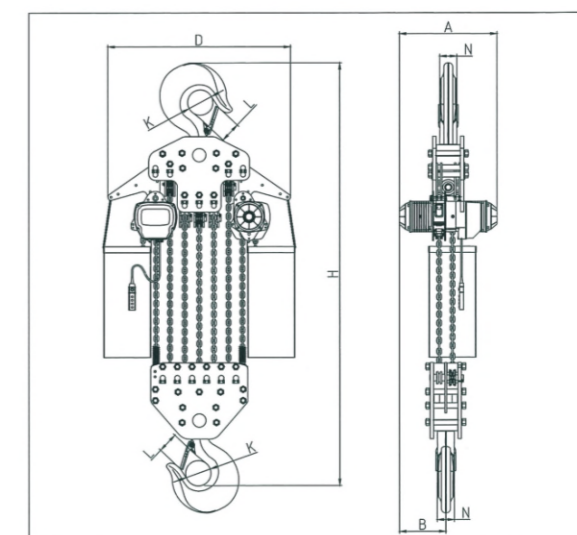




25-10



30-12



● Technical Parameters

Type	Capacity (Ton)	Lifting Height (m)	Lifting Speed (m/min)	Lifting motor					Operating motor					I-Beam (mm)	
				Power (kw)	Rotation Speed(r/min)	Phases	Voltage(V)	Frequency (Hz/s)	Power (kw)	Rotation Spedd(r/min)	Operating speed(m/min)	Phases	Voltage(V)		Frequency (Hz/s)
HET25-10	25	3/9	1.1	3.0x2	1440	3	220-440	50/60	0.75x2	1440	11/21	3	220-440	50/60	150-220

● Size specification

Type	Capacity (Ton)	Unit(mm)														
		H	A	B	D	I	J	N	K	M	P	Q	R	T	L	Chain
HET25-10	25	1700	630	315	1450	Φ75	Φ75	95	Φ140	96	1080	680	142	231	100	Φ11.2

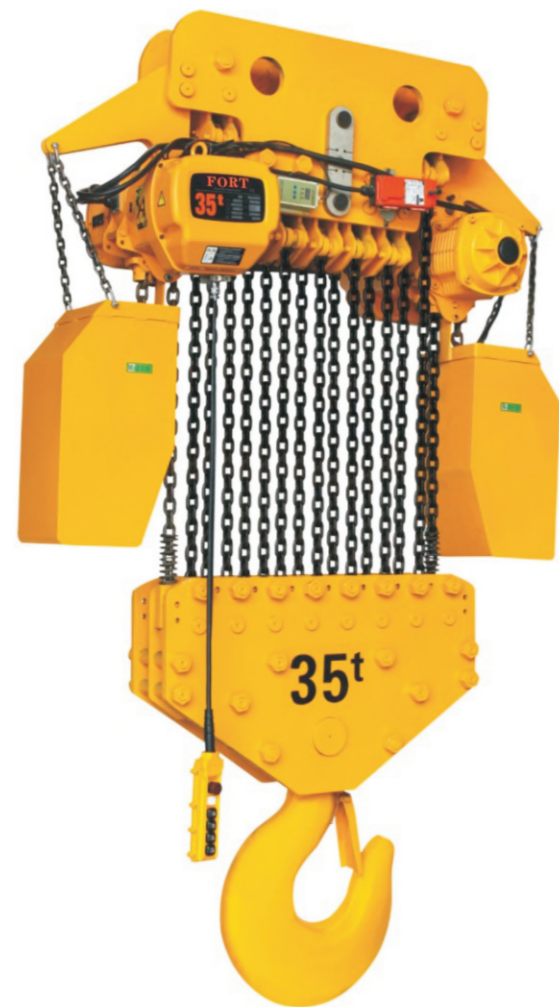
● Technical Parameters

Type	Capacity (Ton)	Lifting Height (m)	Lifting Speed (m/min)	Lifting motor					Operating motor					I-Beam (mm)	
				Power (kw)	Rotation Speed(r/min)	Phases	Voltage(V)	Frequency (Hz/s)	Power (kw)	Rotation Spedd(r/min)	Operating speed(m/min)	Phases	Voltage(V)		Frequency (Hz/s)
HET30-12	30	3/9	0.9	3.0x2	1440	3	220-440	50/60	0.75x2	1440	11/21	3	220-440	50/60	150-220

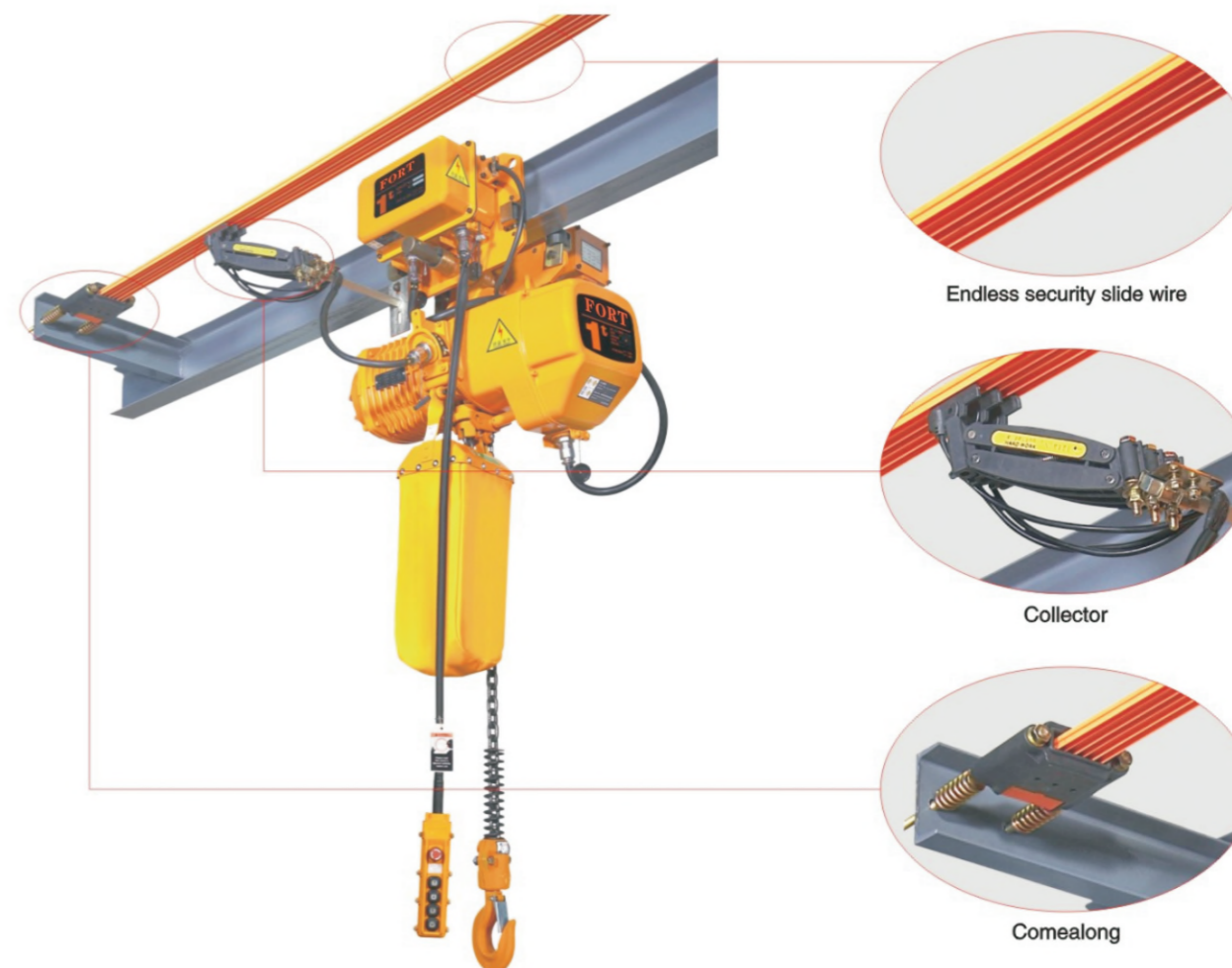
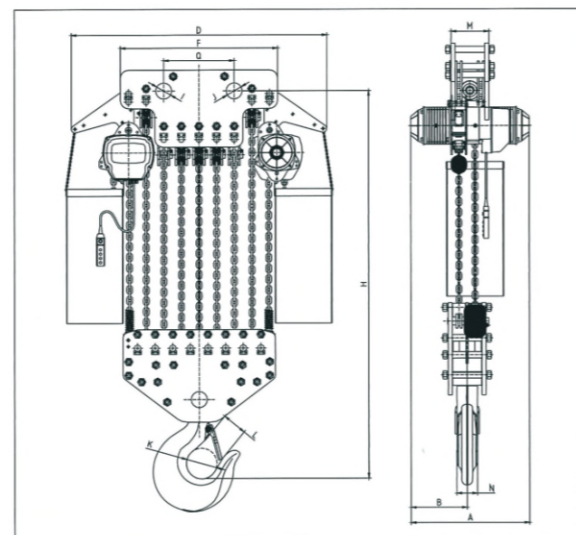
● Size specification

Type	Capacity (Ton)	Unit(mm)									
		H	A	B	D	K	L	M	N	Chain	
HET30-12	30	1640	860	430	1380	Φ145	100	228	98	Φ11.2	





35-16



Endless security slide wire

Collector

Comealong

● Technical Parameters

Type	Capacity (Ton)	Lifting Height (m)	Lifting Speed (m/min)	Lifting motor					Operating motor					I-Beam (mm)	
				Power (kw)	Rotation Speed(r/min)	Phases	Voltage(V)	Frequency (Hz/s)	Power (kw)	Rotation Spedd(r/min)	Operating speed(m/min)	Phases	Voltage(V)		Frequency (Hz/s)
HET35-16	35	3/9	0.7	3.0x2	1440	3	220-440	50/60	0.75x2	1440	11/21	3	220-440	50/60	150-220

● Size specification

Type	Capacity (Ton)	Unit(mm)													
		H	A	B	D	F	Q	K	L	M	N	J	I	Chain	
HET35-16	35	1790	860	430	1600	990	440	Φ200	140	235	135	Φ100	Φ100	Φ11.2	

Hoist Parameters Of Dual Speeds

Item	Type	Speed(r/min)	Power(kw)	RotationSpedd(r/min)
1	HET0.5-01DS	7.8/2.6	0.75/0.25	980/2830
2	HET01-02DS	3.9/1.3	0.75/0.25	980/2830
3	HET01-01DS	7.2/2.4	1.5/0.5	980/2830
4	HET02-01DS	6.3/2.1	1.5/4.0	980/2830
5	HET02-02DS	3.6/1.2	1.5/0.5	980/2830
6	HET03-01DS	5.4/1.8	1.5/4.0	980/2830
7	HET03-02DS	3.4/1.1	1.5/4.0	980/2830
8	HET03-03DS	2.4/0.8	1.5/0.5	980/2830
9	HET05-02DS	2.7/0.9	1.5/4.0	980/2830
10	HET7.5-03DS	1.9/0.8	1.5/4.0	980/2830
11	HET10-04DS	2.7/0.9	1.5/4.0×2	980/2830



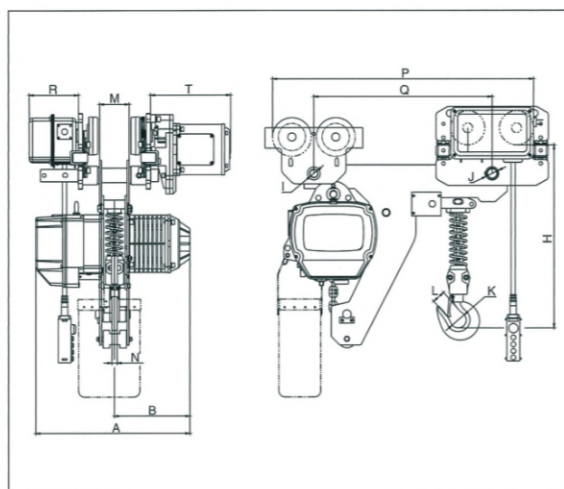
Super-low lifting loop chain electric hoist



Product features:

It is typical of unique optimal structure in shortening the distance between the machine body and the beam teacks, applicable to operations inside fairly low buildings, especially suitable for use in temporarily erected plant buildings or on the sites where expansion of effective hoisting spaces inside the buidings is required.

01-01



Super-low lifting

● Technical Parameters

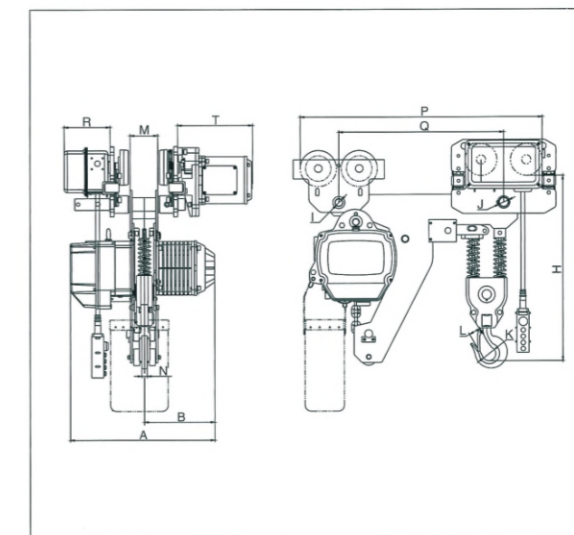
Type	Capacity (Ton)	Lifting Height (m)	Lifting Speed (m/min)	Lifting motor					Operating motor					I-Beam (mm)	
				Power (kw)	Rotation Speed(r/min)	Phases	Voltage(V)	Frequency (Hz/s)	Power (kw)	Rotation Spedd(r/min)	Operating speed(m/min)	Phases	Voltage(V)		Frequency (Hz/s)
HETL0.5-01	0.5	3/9	7.8	0.75	1440	3	220-440	50/60	0.4	1440	10/20	3	220-440	50/60	100-180
HETL01-01	1	3/9	6.8	1.5	1440	3	220-440	50/60	0.4	1440	10/20	3	220-440	50/60	100-160
HETL02-01	2	3/9	6.8	3.0	1440	3	220-440	50/60	0.4	1440	10/20	3	220-440	50/60	100-160
HETL03-01	3	3/9	5.3	3.0	1440	3	220-440	50/60	0.4	1440	10/20	3	220-440	50/60	120-180

● Size specification

Type	Capacity (Ton)	Unit(mm)													
		H	A	B	K	L	M	N	I	J	P	Q	R	T	Chain
HETL0.5-01	0.5	350	460	230	Φ32	25	50	17	Φ31	Φ31	595	410	142	231	Φ6.3
HETL01-01	1	480	520	260	Φ40	31	56	24	Φ31	Φ31	635	450	142	231	Φ7.1
HETL02-01	2	570	620	310	Φ49	35	62	30	Φ36	Φ36	727	512	142	231	Φ10.0
HETL03-01	3	640	620	310	Φ59	42	74	35	Φ43	Φ43	779	530	142	231	Φ11.2



02-02



Super-low lifting

● Technical Parameters

Type	Capacity (Ton)	Lifting Height (m)	Lifting Speed (m/min)	Lifting motor					Operating motor					I-Beam (mm)	
				Power (kw)	Rotation Speed(r/min)	Phases	Voltage(V)	Frequency (Hz/s)	Power (kw)	Rotation Spedd(r/min)	Operating speed(m/min)	Phases	Voltage(V)		Frequency (Hz/s)
HETL01-02	1	3/9	3.9	0.75	1440	3	220-440	50/60	0.4	1440	10/20	3	220-440	50/60	100-160
HETL02-02	2	3/9	3.4	1.5	1440	3	220-440	50/60	0.4	1440	10/20	3	220-440	50/60	120-160
HETL03-02	3	3/9	3.4	3.0	1440	3	220-440	50/60	0.4	1440	10/20	3	220-440	50/60	120-180
HETL05-02	5	3/9	2.8	3.0	1440	3	220-440	50/60	0.75	1440	10/20	3	220-440	50/60	120-180

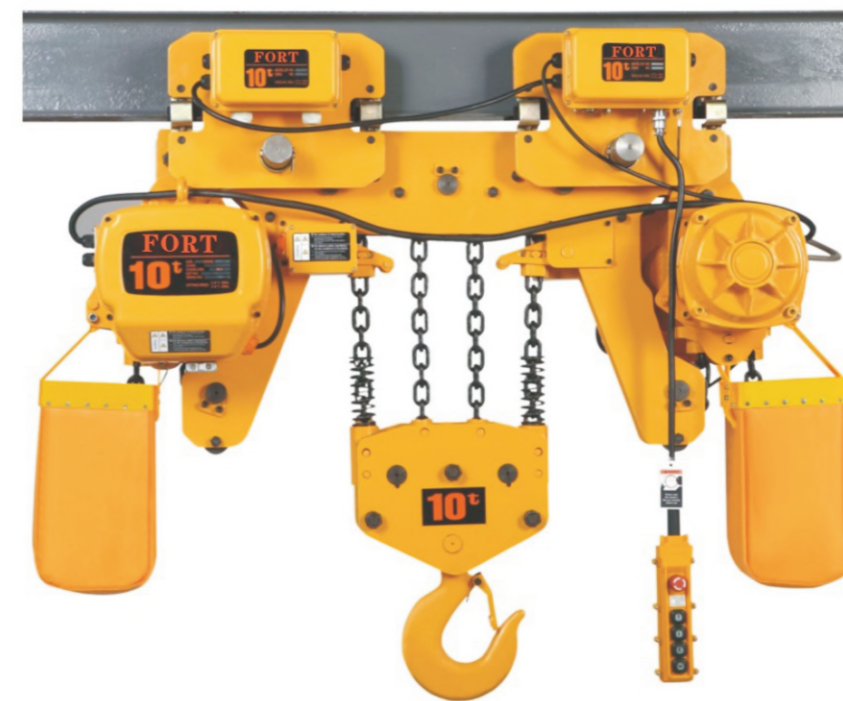
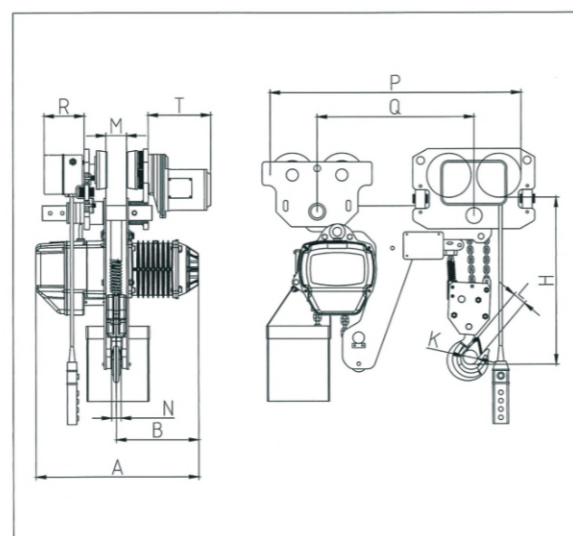
● Size specification

Type	Capacity (Ton)	Unit(mm)													
		H	A	B	K	L	M	N	I	J	P	Q	R	T	Chain
HETL01-02	1	410	460	230	Φ40	31	50	24	Φ31	Φ31	595	410	142	231	Φ6.3
HETL02-02	2	535	520	260	Φ49	35	56	30	Φ31	Φ31	670	450	142	231	Φ7.1
HETL03-02	3	685	620	310	Φ59	42	62	35	Φ43	Φ43	750	505	142	231	Φ10.0
HETL05-02	5	740	620	310	Φ60	45	77	43	Φ43	Φ54	820	530	142	231	Φ11.2

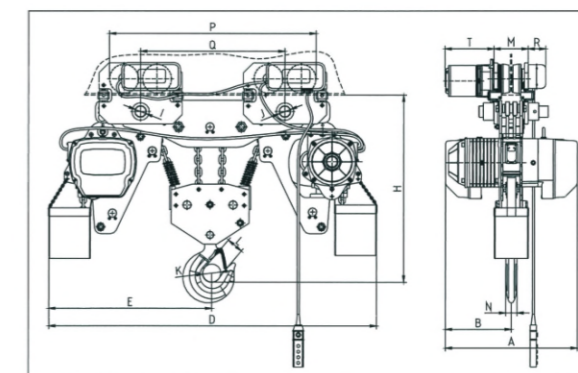




7.5-03



10-04



Super-low lifting

● Technical Parameters

Type	Capacity (Ton)	Lifting Height (m)	Lifting Speed (m/min)	Lifting motor					Operating motor					I-Beam (mm)	
				Power (kw)	Rotation Speed(r/min)	Phases	Voltage(V)	Frequency (Hz/s)	Power (kw)	Rotation Speed(r/min)	Operating speed(m/min)	Phases	Voltage(V)		Frequency (Hz/s)
HETL7.5-03	7.5	3/9	1.9	3.0	1440	3	220-440	50/60	0.75	1440	10/20	3	220-440	50/60	120-180

● Size specification

Type	Capacity (Ton)	Unit(mm)														
		H	A	B	K	L	M	N	I	J	P	Q	R	T	Chain	
HETL7.5-03	7.5	900	620	310	Φ90	65	77	50	Φ43	Φ54	1024	740	142	231	Φ11.2	

Super-low lifting

● Technical Parameters

Type	Capacity (Ton)	Lifting Height (m)	Lifting Speed (m/min)	Lifting motor					Operating motor					I-Beam (mm)	
				Power (kw)	Rotation Speed(r/min)	Phases	Voltage(V)	Frequency (Hz/s)	Power (kw)	Rotation Speed(r/min)	Operating speed(m/min)	Phases	Voltage(V)		Frequency (Hz/s)
HETL10-04	10	3/9	2.8	3.0x2	1440	3	220-440	50/60	0.75	1440	10/20	3	220-440	50/60	120-180

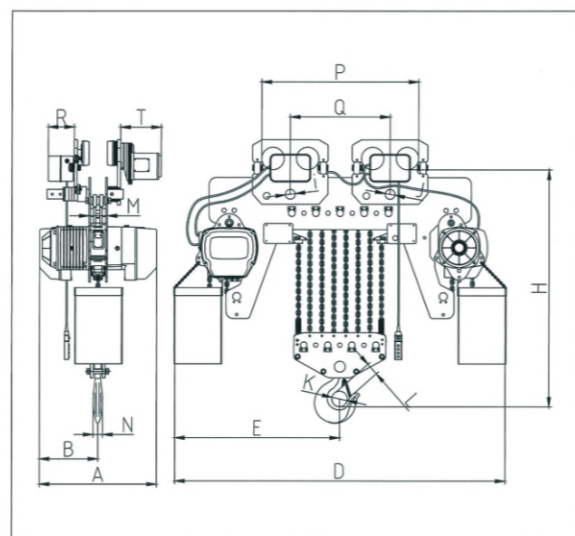
● Size specification

Type	Capacity (Ton)	Unit(mm)															
		H	A	B	D	E	I	J	K	L	M	Q	P	T	R	N	Chain
HETL10-04	10	880	630	315	1640	820	Φ54	Φ54	Φ90	65	77	613	926	231	142	50	Φ11.2





20-08



Super-low lifting

● Technical Parameters

Type	Capacity (Ton)	Lifting Height (m)	Lifting Speed (m/min)	Lifting motor					Operating motor					I-Beam (mm)	
				Power (kw)	Rotation Speed(r/min)	Phases	Voltage(V)	Frequency (Hz/s)	Power (kw)	Rotation Speed(r/min)	Operating speed(m/min)	Phases	Voltage(V)		Frequency (Hz/s)
HETL20-08	20	3/9	1.4	3.0x2	1440	3	220-440	50/60	0.75x2	1440	10/20	3	220-440	50/60	130-180

● Size specification

Type	Capacity (Ton)	Unit(mm)															
		H	A	B	D	E	I	J	K	L	M	Q	P	T	R	N	Chain
HETL20-08	20	1080	630	315	1905	975	Φ70	Φ70	Φ110	80	80	600	960	231	142	85	Φ11.2

Explosion-Proof Type Electric Chain Hoist

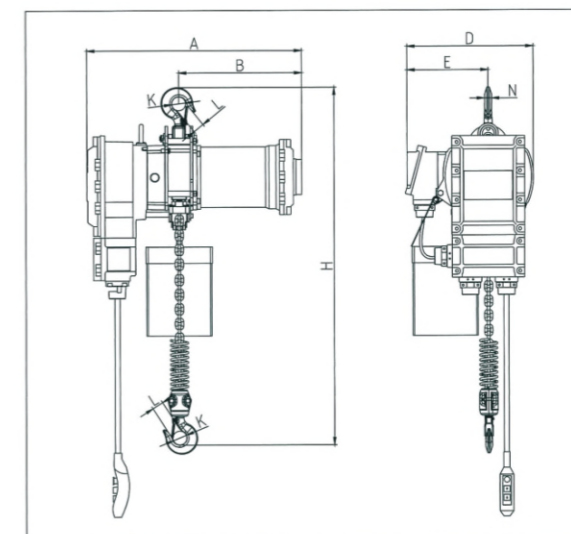
Conventional electric chain hoists are well accepted in various industrial fields.

In explosive atmospheres of various ignitable gases and vapors, special attention must be required.

In such special atmospheres.



1t-35t



Explosion-Proof

● Size specification

Type	Capacity (Ton)	Unit(mm)												Chain
		H	A	B	D	E	K	L	N	M	J	Q		
HET01EP-01	1	600	600	330	300	176	Φ40	31	24	-	-	-	Φ7.1	
HET02EP-02	2	750	600	330	300	230	Φ49	35	30	-	-	-	Φ7.1	
HET03EP-03	3	920	600	330	350	280	Φ59	42	35	-	-	-	Φ7.1	
HET03EP-01	3	845	675	325	430	265	Φ59	42	35	-	-	-	Φ11.2	
HET03EP-02	3	950	675	325	430	320	Φ59	42	35	-	-	-	Φ10.0	
HET05EP-02	5	1030	675	325	430	325	Φ60	45	43	-	-	-	Φ11.2	
HET7.5EP-03	7.5	1200	675	325	500	320	Φ90	70	50	-	-	-	Φ11.2	
HET10EP-04	10	1400	725	350	890	445	Φ90	70	50	-	-	-	Φ11.2	
HET15EP-06	15	1360	725	350	1030	-	Φ110	80	85	88	Φ70	520	Φ11.2	
HET20EP-08	20	1250	725	350	1220	-	Φ110	80	85	88	Φ70	-	Φ11.2	
HET25EP-10	25	1700	725	350	1315	-	Φ140	100	95	96	Φ80	-	Φ11.2	
HET30EP-12	30	1640	915	458	1380	-	Φ140	100	95	228	Φ90	-	Φ11.2	
HET35EP-16	35	1790	915	458	1600	-	Φ200	140	135	235	Φ100	440	Φ11.2	





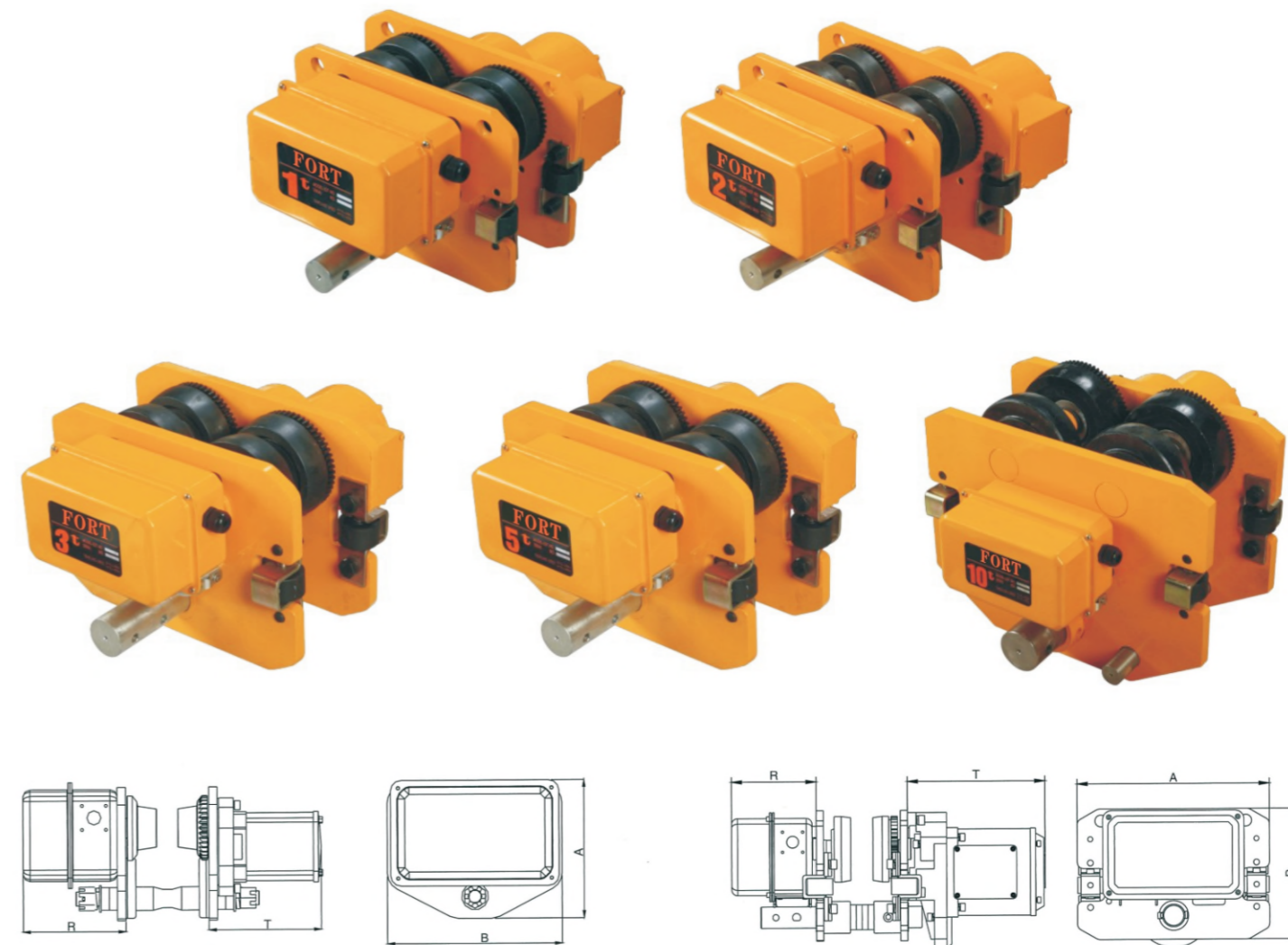
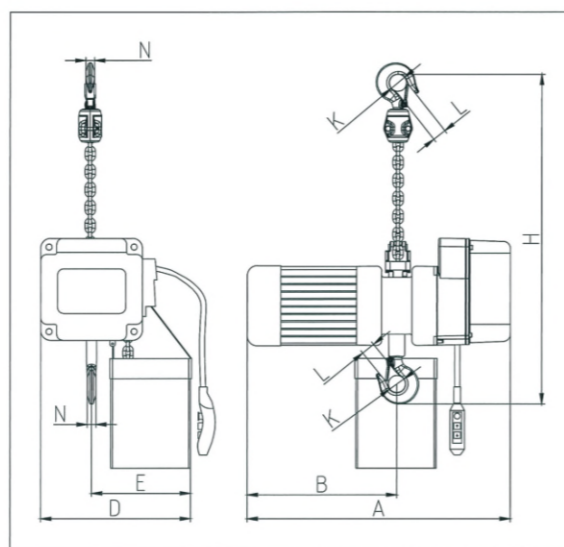
upside-down series electric chain hoist

Electric Trolley



Product features:
widely applied to entertainment industry and stage.

01-01



● Technical Parameters

Type	Capacity (Ton)	Lifting Height (m)	Lifting Speed (m/min)	Lifting motor					Operating motor					I-Beam (mm)	
				Power (kw)	Rotation Speed(r/min)	Phases	Voltage(V)	Frequency (Hz/s)	Power (kw)	Rotation Speed(r/min)	Operating speed(m/min)	Phases	Voltage(V)		Frequency (Hz/s)
HETU01SK-01	1	3/9	7.2	1.1	1440	3	220-440	50/60	/	/	/	/	/	/	/

● Size specification

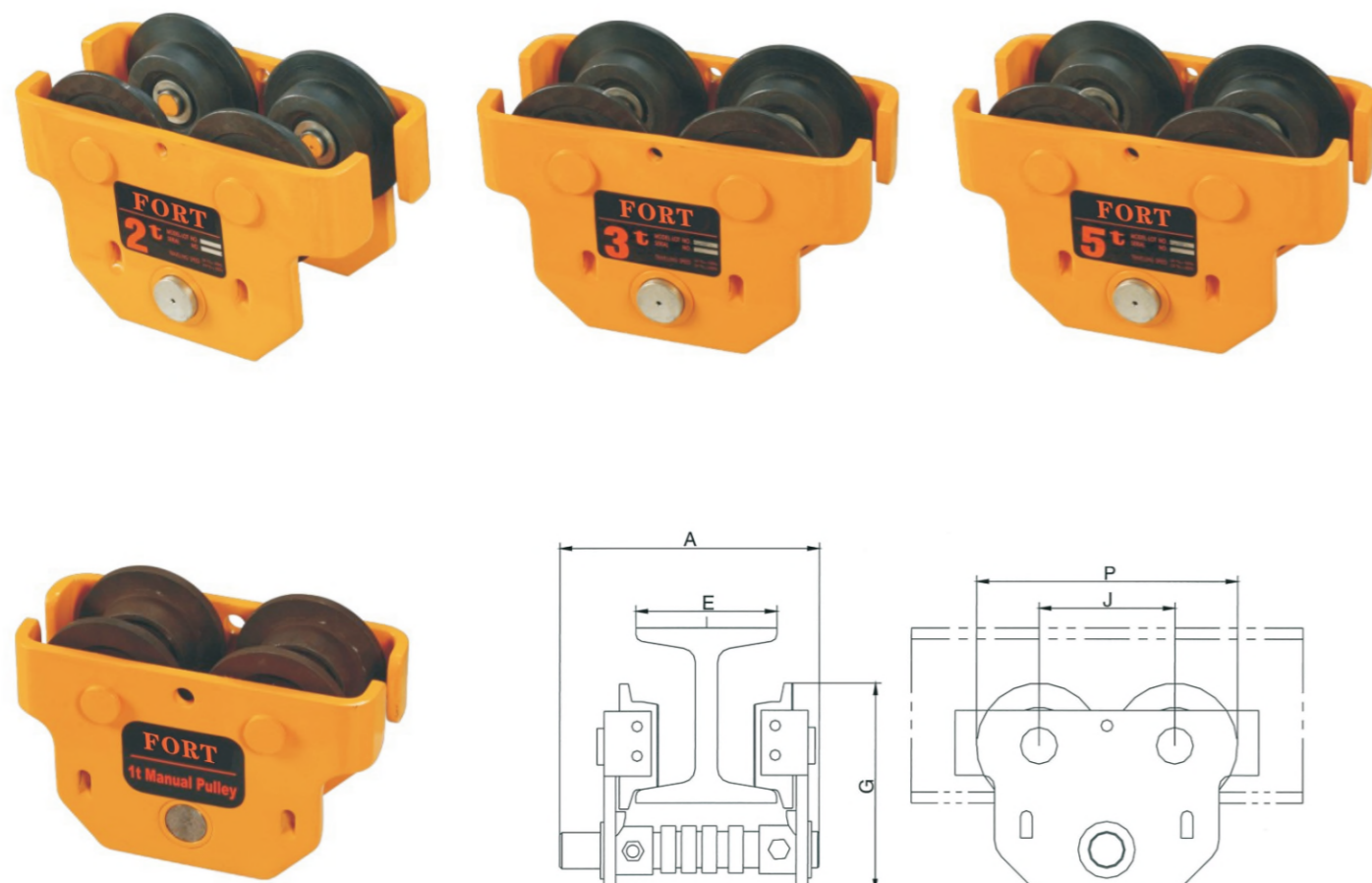
Type	Capacity (Ton)	Unit(mm)								
		H	A	B	D	K	L	M	N	Chain
HETU01SK-01	1	400	595	320	300	230	Φ40	31	24	Φ8.0

● Size specification

Type	Capacity (Ton)	Unit(mm)				Speed 50Hz(m/min)	Motor (Kw)	Minimum radius of turn	I-Beam (mm)
		A	B	R	T				
ET-0.5	0.5	196	248	142	159	14	0.2	0.8	70-130
ET-01	1	315	212	142	231	10 or 20	0.4	0.8	80-160
ET-02	2	325	220	142	231	10 or 20	0.4	0.8	82-178
ET-03	3	340	250	142	231	10 or 20	0.4	1.0	100-180
ET-05	5	400	291	142	231	10 or 20	0.75	1.8	110-180
ET-7.5	7.5	400	291	142	231	10 or 20	0.75	1.8	100-178
ET-10	10	500	370	142	231	10 or 20	0.75	2.5	150-220



Manual Trolley

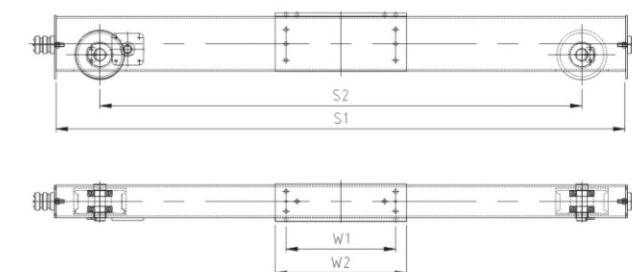
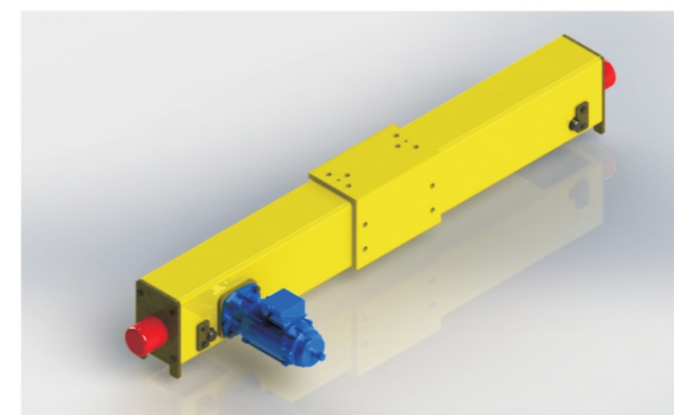


● Size specification

Type	Capacity (Ton)	Unit(mm)					Minimum radius of turn
		A	G	J	E	P	
MT-0.5	0.5	200	130	91	50-102	163	0.6
MT-01	1	200	170	115	50-102	221	1.3
MT-02	2	218	205	138	68-130	265	1.3
MT-03	3	275	236	157	82-153	305	1.7
MT-05	5	275	280	178	82-153	332	2.3

Features of Single-track Power Trolley

- Respective dollies in the system are independently driven.
- A structure composed of track, side track for horizontal movement, turnplate, and other sections, to form a 3D network for material conveyance.
- Multiple control mechanism, able for centralized control, scattered control, or distributed control measures, and the dollies are able to perform full automatic operations according to the set program,
- Random material supply system for random applications for vehicle request by service positions to be made through random material supply system, with random compilation of characteristic address code of service positions through dollies, for them to directly reach the stations where vehicles are requested for material supply.
- Sorting and distributing system for carrying dollies to set address reading stations on the ground according to the characteristic address codes carried by different types of carried cargos, able to achieve automatic sorting and distributing operations and so on.



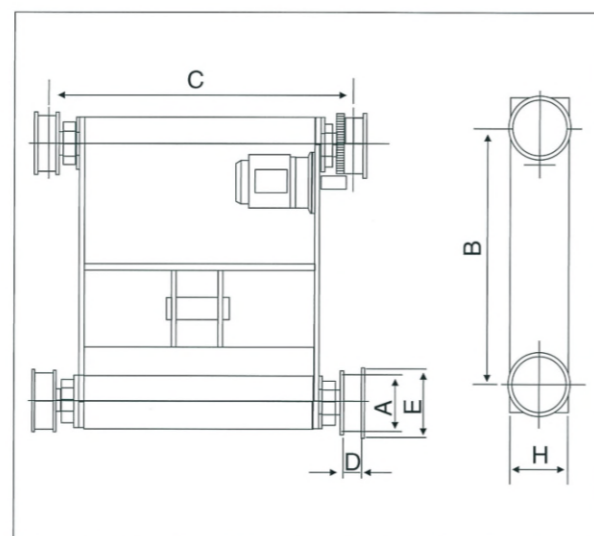
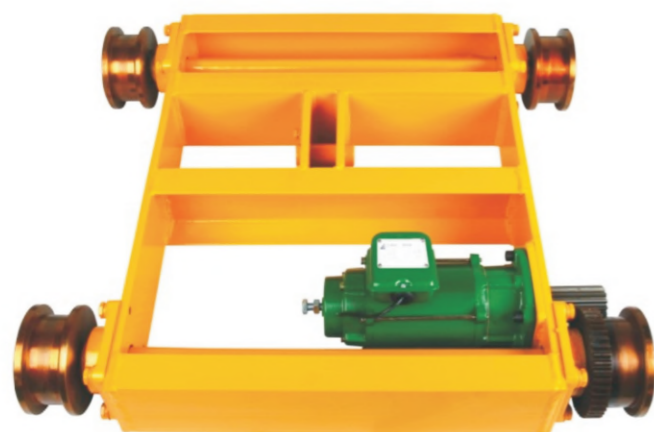
● Technical Parameters

End carriage Model	Application of crane model	Rectangular Steel tube	Wheel Size	Motor power	S1 (mm)	S2 (mm)	W1 (mm)	W2 (mm)
L125-15	1t-7.5m	150*150*6	W125*60	0.3KW*2	1500	1300	400	500
L125-20	1t-11.5m				2000	1800	400	500
L125-25	1t-16.5m				2500	2300	400	500
L160-15	2t/3t-7.5m	150*200*8	W160*70	0.4KW*2	1500	1200	400	500
L160-20	2t/3t-11.5m				2000	1700	400	500
L160-25	2t/3t-16.5m				2500	2200	400	500
L160-30	2t/3t-22.5m				3000	2700	500	600
L160-35	2t/3t-28.5m				3500	3200	600	700
L200-20	5t-11.5m	150*250*8	W200*70	0.4KW*2	2000	1700	400	500
L200-25	5t-16.5m				2500	2200	400	500



Features of Double-track Power Trolley

Respective dollies in the system are independently driven.
Multiple control mechanism,able for centralized control,scattered control,or distributed control measures,and the dollies are able to perform fullautomatic operations according to the set program.



● Technical Parameters

Type	Capacity (Ton)	Speed(m/min)		A	B	C	D	E	H	Motor	Net weight (kg)
		50Hz	60Hz								
DT-02	2	20	19	120	580	700	40	147	136	0.25KW	94
DT-03	3	18	22	150	650	800	45	178	164	0.40KW	182
DT-05	5	18	22	150	650	850	50	178	164	0.40KW	182
DT-7.5	7.5	19	19	160	800	1000	50	189	225	0.75KW	306
DT-10	10	21	20	200	900	1200	50	246	318	0.75KW	504

Geared Motor

Reduction gear

The shaft is manufacture by lignment and grinding. So the accuracy is very good. The stress is very strong. The safety factor is more than 5. The product-life is very long.

Buffer

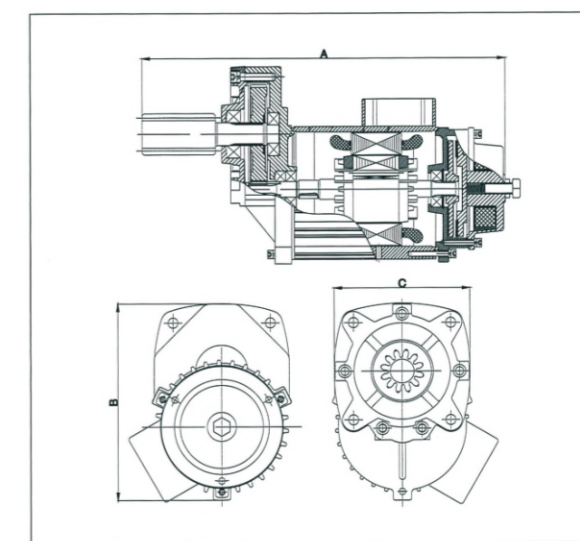
When soft starting, and after fly wheel acting, the movement of high inertia is produced .
No impactness, this keeps crane stable, smooth, and noiseless, to stabilize the brake .

Motor

High performance of start torque, motr body is simple for radiation, high-pressure resisting more than 1500V, light current, compct - sized, powerful output, available for high frequency.

Electromagnet brake

With direct - type electromagnet brake, control can be adjustable with screw, high abrasion brake leather,long service life, safety,and never be falling off.



● Technical Parameters

Type	Power(kw)	Voltage(V)	Frequency (Hz)	Current(A)	Rotation speed (r/min)	Number of poles(P)	Output gear(M)	Gear quantity	A/mm	B/mm	C/mm
SE-030	0.3	380	50	1.2	150	4	M4	15	400	130	180
SE-040	0.4	380	50	1.5	113/176	6/4	M3/M4	12	400	214	148
SE-075	0.75	380	50	2.0	125/189	6/4	M3/M4/M5	12/12/11	425	231	155
SE-110	1.1	380	50	2.4	76/113	6/4	M4/M5	14/16	540	240	160